

SHIMPO WEST

POTTER'S
WHEEL

RK-10 GOLD & SILVER

INSTRUCTION MANUAL

SHIMPO 21
METALLIC TRACTION DRIVE WHEEL EX-001



IMPORTANT CHECK POINTS

SAFETY PRECAUTIONS

- Do not plug into multiple socket.
- Turn to "Off" position and unplug potter's wheel before cleaning, inspection and after operation.

OPERATION

- Place wheel on level ground.
- Prevent rocking by using adjustable foot.

★WITH THE WHEEL YOU SHOULD HAVE RECEIVED.

Wrench



(10x13mm)

T-Wrench



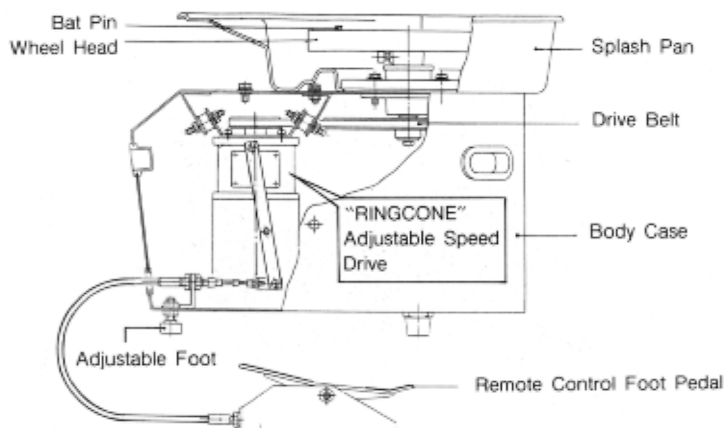
(17 × 19mm)

(8mm)

Wrench for Adjustable Foot



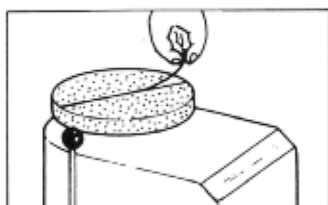
DESCRIPTION OF PARTS



SPECIFICATIONS

- Model : RK-10 GOLD & SILVER
- Motor : GOLD : 250W, 1/3HP, 115V, 60Hz, Single Phase
SILVER : 200W, 1/4HP, 115V, 60Hz, Single Phase
- Speed Control Mechanism : RX Traction Drive
(RINGCONE Adjustable Speed Drive)
- Speed Control System : Remote Control Foot Pedal
- Wheel Head: Speed : 0 - 250 rpm 60Hz
Direction : Clockwise and Counter-clockwise
Diameter : 12"
Material : Light alloy casting
- Dimensions : 26"(Length) × 18 1/2"(Width) × 19"(Height)
- Weight : GOLD : 99 lbs
SILVER : 97 lbs

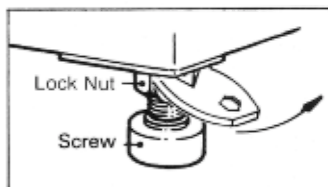
1 INITIAL PREPARATION



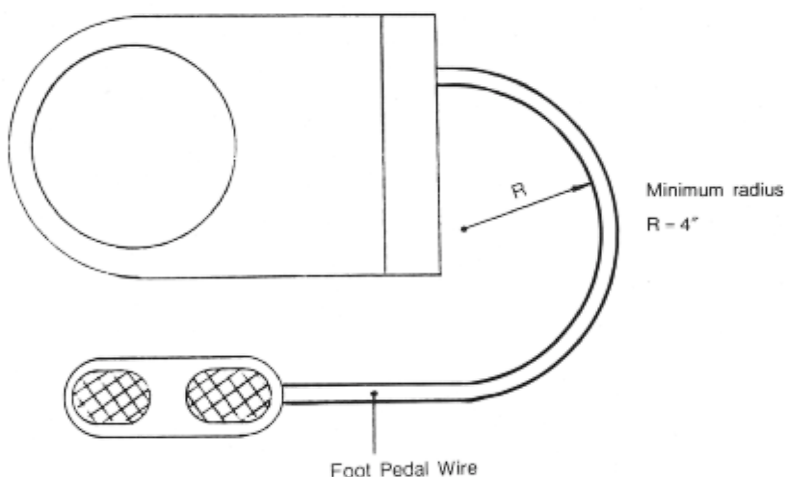
To remove plastic coating on wheel head, pull off string running across middle of wheel head and peel away plastic.

For best results, potter's wheel should be leveled.

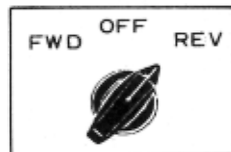
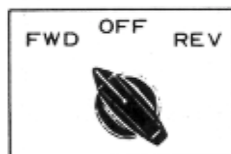
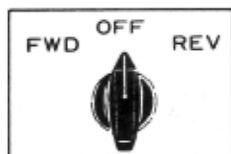
- Place wheel on level ground.
- Loosen lock nut on adjustable foot
- Turn screw until potter's wheel is leveled.
- Tighten lock nut.



2 PLACING THE PEDAL



3 HOW TO OPERATE



1. PLUG IN FIRMLY.

2. TURN SWITCH ON.

OFF : Motor is off.

FWD : Wheel head is rotating in counter-clockwise direction.

REV : Wheel head is rotating in clockwise direction.

Note :

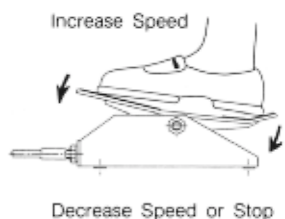
Do not change rotating direction while motor is running. Change only after motor has come to a complete stop. (Approx. 30 seconds after switch has been turned to "OFF".)

3. SPEED CONTROL

(REMOTE CONTROL FOOT PEDAL)

Press pedal forward to increase speed or backward to decrease speed or to stop.

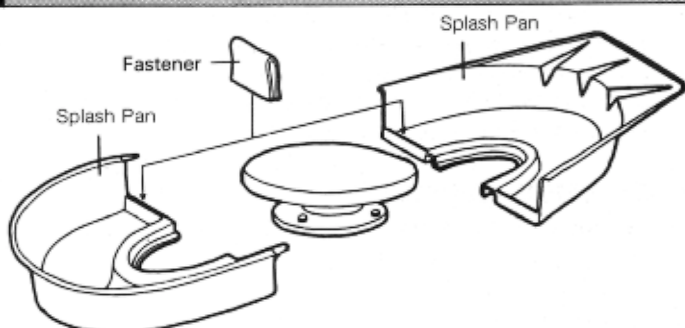
Unit can be operated at any speed between 0-250rpm.



Note :

1. DO NOT USE PEDAL WHILE SWITCH IS IN "OFF" POSITION.
2. With switch in "OFF" position wheel head can be turned by hand when pedal is in "High-Speed" position. Do not attempt to turn wheel head by hand when pedal is in "Zero-Speed" position.

4 REMOVING THE SPLASH PAN



1. Lift removable plastic fasteners.
2. Pull out halves of splash pan (see fig.)
3. To put together, reverse above procedure.

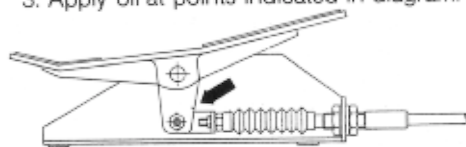
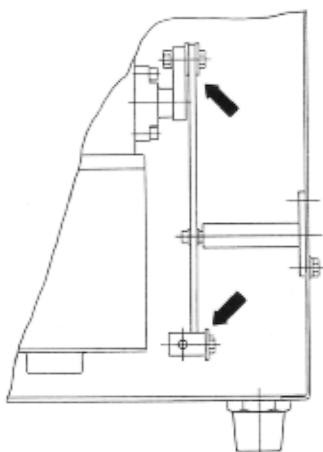
5 MAINTENANCE & ADJUSTMENT

① LUBRICATION

After several years, if lubrication becomes necessary.

To lubricate:

1. Turn switch to "OFF" position and unplug cord.
2. Place Wheel on side.
3. Apply oil at points indicated in diagram.



② DRIVE BELT TENSION ADJUSTMENT

A drop in power may indicate drive belt tension needs adjustment.

1. Loosen bearing holder bolts (4 pcs.)
2. Push bearing holder 1/8" in the direction of arrow (see fig A).
3. Check tension of drive belt. When pressed, drive belt should bend 1/4" to 1/2" (see fig B).
4. Tighten bearing holder bolts.

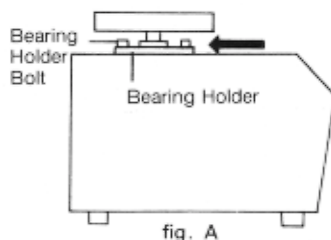


fig. A

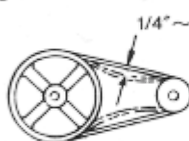
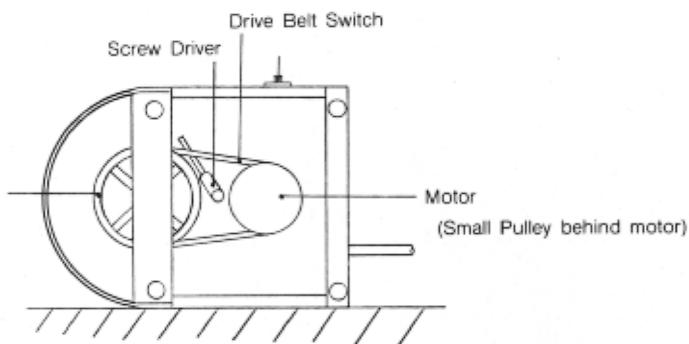


fig. B

④ DRIVE BELT REPLACEMENT

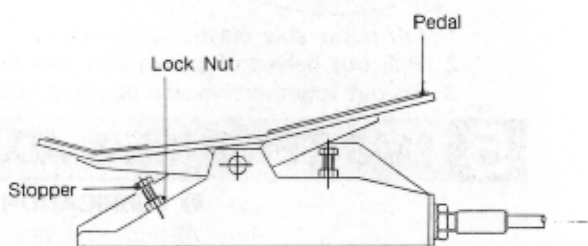


1. Turn switch to "FWD or REV"
2. Press pedal to highest speed position.
3. Turn switch to "Off" and unplug potter's wheel.
4. Place wheel on its side (as shown in fig.).
5. Remove belt by holding screw driver between large pulley and drive belt, while turning large pulley by hand (see fig.).
6. Put new drive belt around small pulley. Continue onto large pulley by turning large pulley by hand.

④ ZERO SPEED ADJUSTMENT

If wheel head will not stop when pedal is in zero position:

1. Loosen lock nut.
2. Turn stopper bolt 1/4 of a turn so stopper moves into pedal in direction of arrow.
3. Check if wheel head has reached zero speed (completely stopped).
4. If zero speed has not been reached, repeat steps 2 to 4 above as often as necessary.

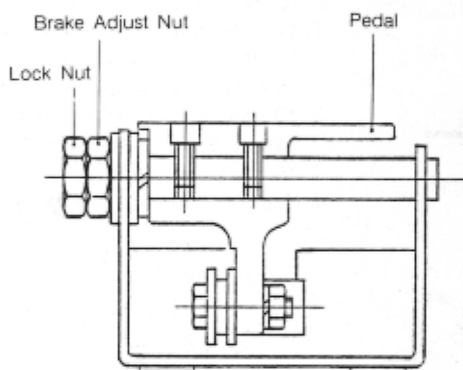


⑤ BRAKE ADJUSTMENT

If pedal moves when wheel head is loaded at high speed, adjust pedal brake as follows:

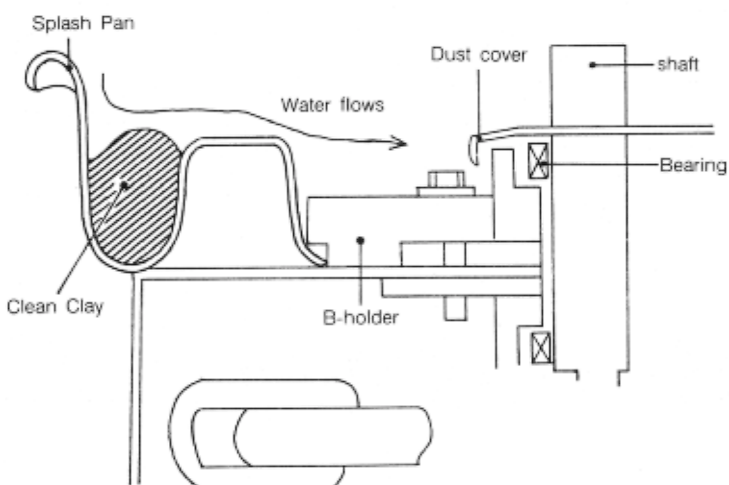
1. Loosen lock out.
2. Tighten brake adjustment nut.
3. Re-tighten lock nut.

Note: Do not over-tighten brake adjustment nut as this may cause pedal to become stiff or lock.



⑥ DO NOT LET CLAY HEAPS IN SPLASH PAN.

Clean clay inside splash pan everytime you finish throwing, or everytime the clay heaps more than the level that water runs into the shaft.



Manufactured by
SHIMPO INDUSTRIAL CO., LTD.
Kyoto, JAPAN

PRINTED IN JAPAN I-9207005