

SHIMPO WEST

POTTER'S WHEEL

GOLD & SILVER

RK-10

INSTRUCTION MANUAL

SHIMPO 21
CENTURY
METALLIC TRACTION DRIVE WHEEL



IMPORTANT CHECK POINTS

SAFETY PRECAUTIONS

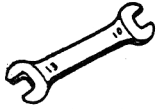
- Do not plug into multiple socket.
- Turn to "Off" position and unplug potter's wheel before cleaning, inspection and after operation.

OPERATION

- Place wheel on level ground.
- Prevent rocking by using adjustable foot.

★ WITH THE WHEEL YOU SHOULD HAVE RECEIVED.

Wrench



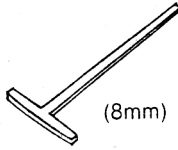
(10×13mm)

Wrench



(6×7mm)

T-Wrench

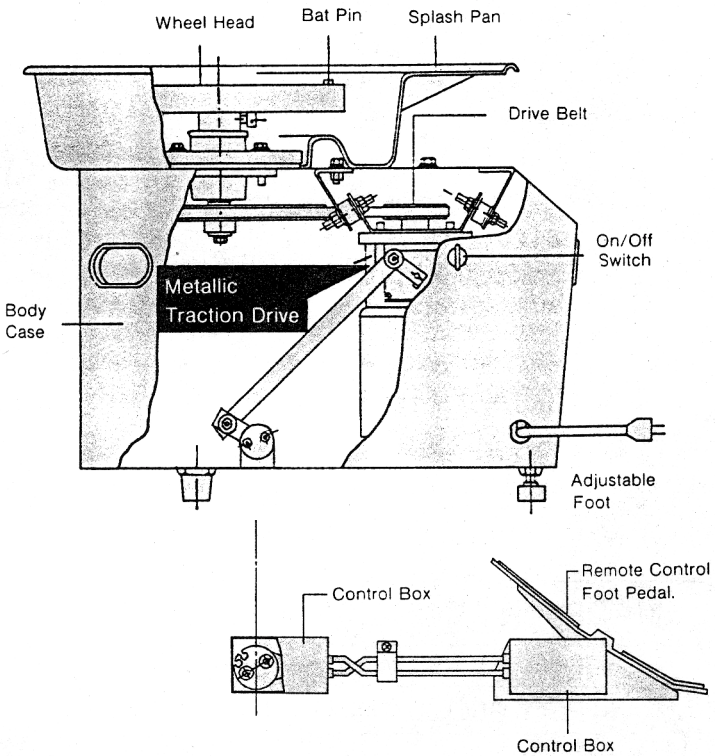


(8mm)

Wrench for Adjustable Foot



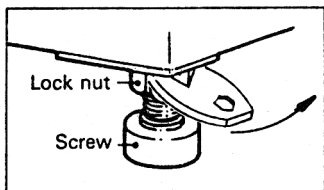
DESCRIPTION OF PARTS



SPECIFICATIONS

- Model : RK-10 Gold & Silver
- Motor : Gold/250W, 1/3HP, 115V 60Hz Single-Phase
: Silver/200W, 1/4HP, 115V 60Hz Single-Phase
- Speed Control Mechanism : Metallic Traction Drive
- Speed Control System : Remote Control Foot Pedal
- Wheel Head-Speed : 0-250rpm
 - Direction : Clockwise and Counter-clockwise
 - Diameter : 12"
 - Material : Light alloy casting
- Dimensions : 26"(Length) × 18"1/2 (Width) × 19"(Height)
- Weight : 97 lbs

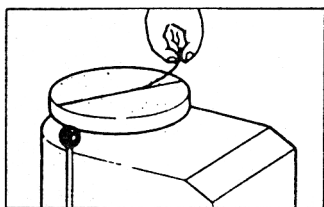
1 INITIAL PREPARATION



1. LEVEL POTTER'S WHEEL

For best results, potter's wheel should be leveled.

- To level :
- Loosen lock nut on adjustable foot.
 - Turn screw until potter's wheel is leveled.
 - Tighten lock nut.

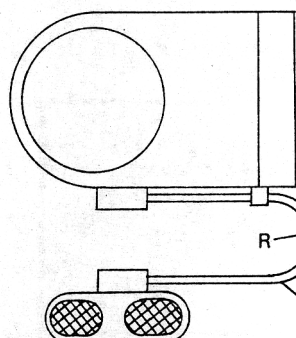
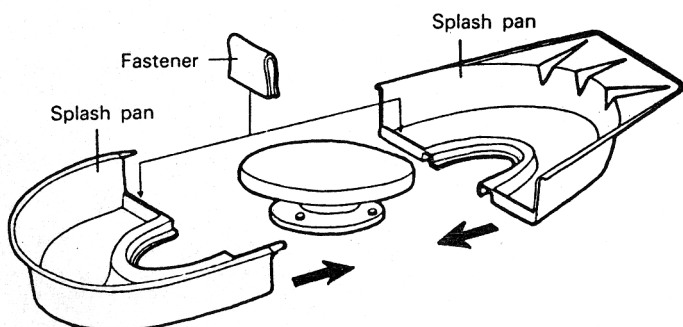


2. REMOVE COATING

To remove plastic coating on wheel head, pull off string running across middle of wheel head and peel away plastic.

3. ATTACH SPLASH PAN

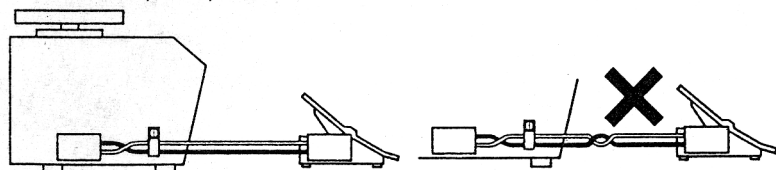
- Insert halves of splash pan into groove under wheel head.
- Clip halves of splash pan together with plastic fasteners provided.



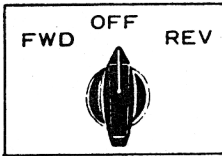
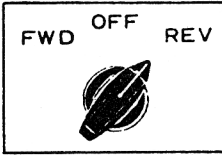
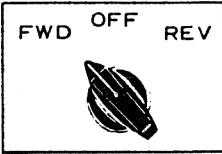
4. PLACE PEDAL

- For maximum operation, avoid sharp bends in foot pedal cable.

- Do not twist cables, or wheel head may not stop when pedal is in zero speed position.



2 HOW TO OPERATE



1. PLUG IN FIRMLY.

2. TURN SWITCH TO :

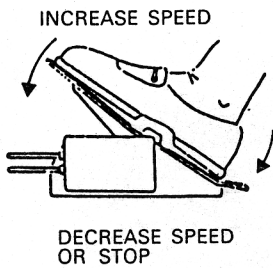
FWD : Wheel head is rotating in a counter-clockwise direction.

REV : Wheel head is rotating in a clockwise direction.

OFF : Motor is off.

Note :

Do not change rotating direction while motor is running. Change only after motor has come to a complete stop. (Approx. 30 seconds after switch has been turned to "OFF".)



3. ADJUST SPEED USING

REMOTE CONTROL FOOT PEDAL

Press pedal forward to increase speed or backward to decrease speed. Unit can be operated at any speed between 0-250rpm.

Note :

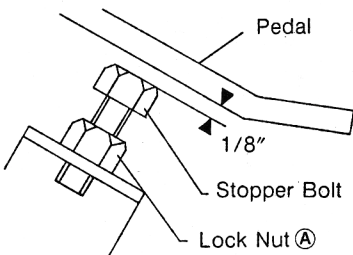
With switch in "OFF"—Wheel head can be turned by hand when pedal is in only "High-Speed" position.

Do not attempt to turn wheel head by hand when pedal is in "Zero-Speed" position.

3 MAINTENANCE & ADJUSTMENT

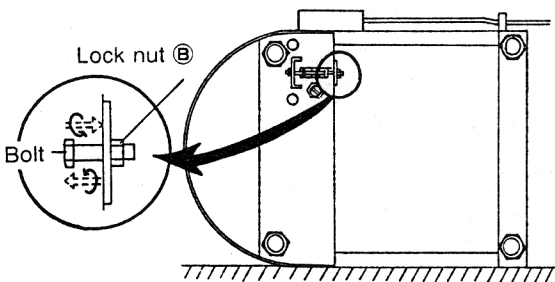
Turn switch to "OFF" position and unplug potter's wheel before doing maintenance or adjustment.

① ZERO SPEED ADJUSTMENT



If wheel head will not stop when pedal is in zero position :

1. Loosen lock nut (A) located under pedal.
2. Turn stopper bolt several times in clockwise direction.
3. Place potter's wheel on side (as shown in fig.).
4. Loosen lock nut (B) located on bottom of unit.



5. With pedal in zero speed position—
If wheel head is rotating counter-clockwise, turn bolt 1/4 turn in clockwise direction.
If wheel head is rotating clockwise, turn bolt 1/4 turn in counter-clockwise direction.
6. Tighten lock nut ⑥.
7. Return unit to normal upright position to check zero speed.
8. Turn stopper bolt located under pedal counter-clockwise until there is 1/8" opening between pedal and stopper bolt.
9. Tighten lock nut ⑦.

Repeat above adjustment as many times as necessary until wheel head stops completely.

If wheel head continues to rotate after making above adjustment, cable tension adjustment is necessary.

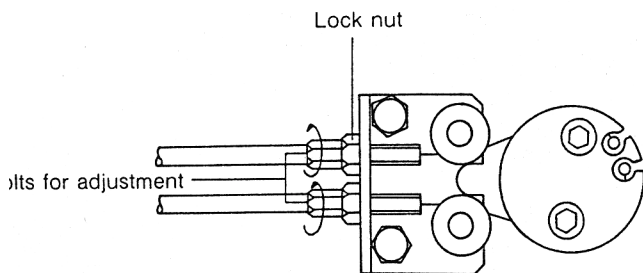
Follow instruction ②.

② CABLE TENSION ADJUSTMENT

Do not adjust cable tension unless it is absolutely necessary.
i.e.

1. Wheel head does not stop after zero speed adjustment.
2. After cable replacement.

Adjustment can be made by adjusting bolts located at side of pedal.

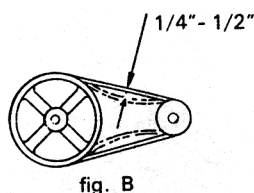
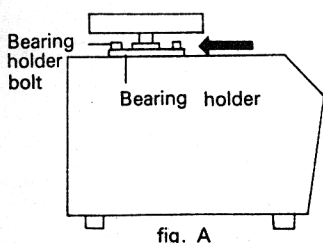


1. Loosen lock nuts.
2. Turn bolts on both cables 1/2 turn (must be same amount for both cables) in counter clockwise direction.
3. Tighten lock nuts.

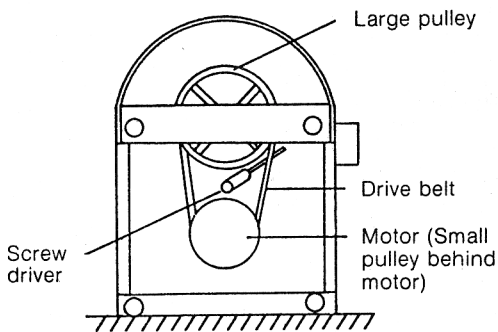
③ DRIVE BELT TENSION ADJUSTMENT

A drop in power may indicate drive belt tension needs adjustment.

1. Loosen bearing holder bolts (4 pcs.)
2. Push bearing holder 1/8" in the direction of arrow (see fig A).
3. Check tension of drive belt. When pressed, drive belt should bend 1/4" to 1/2" (see fig B).
4. Tighten bearing holder bolts.



④ DRIVE BELT REPLACEMENT



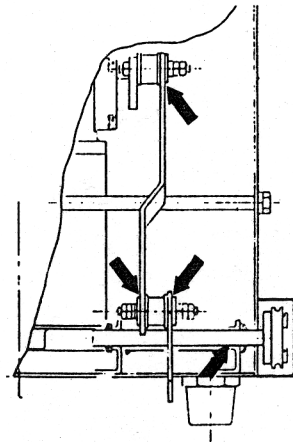
1. Turn switch to "FWD or REV"
2. Press pedal to highest speed position.
3. Turn switch to "Off" and unplug potter's wheel.
4. Place potter's wheel on its side (as shown in fig.).
5. Place screw driver between large pulley and drive belt.
Turn large pulley by hand to remove drive belt.
6. Put new drive belt around small pulley. Continue onto large pulley by turning large pulley by hand.

⑤ LUBRICATION

After several years, if lubrication becomes necessary.

1. Turn unit on side.
2. Oil at points indicated in diagram.

• Note : Keep oil off pad.



Manufactured by
SHIMPO INDUSTRIAL CO., LTD.

Kyoto, JAPAN